

**NEU610 series**

Upright vacuum cleaner; household type

# Owner's Guide

*Thank you for purchasing your new Eureka vacuum!*

## Important instructions

**For easy assembly, please take a few moments to read this owner's guide.**

**If you have questions about your new vacuum, please contact our customer service HELPLINE at 1-800-282-2886.**

*We're here to help!*



Eureka stands by our  
Clean Promise seal.

Learn more at  
[www.eureka.com/cleanpromise](http://www.eureka.com/cleanpromise)

**[www.eureka.com](http://www.eureka.com)**



# eureka

# Where to find important vacuum information

## Keep this information

Write the model, type and serial number here:

Date of purchase (keep your receipt) \_\_\_\_\_

Model number and type \_\_\_\_\_

Serial number \_\_\_\_\_

Find these numbers on a label on the middle back side of the vacuum cleaner. Refer to these numbers when ordering parts and accessories or if service is needed.




## This Owner's Guide provides important instructions to prolong the life of your Eureka vacuum cleaner.

**Registration:** To register your product visit [www.eureka.com](http://www.eureka.com) and click on the 'Register Your Product' link in the top right corner.

**Inspection:** Carefully unpack and inspect your new Eureka vacuum cleaner for shipping damage. Each unit is tested and thoroughly inspected before shipping. For instructions regarding any shipping damage, call the Eureka Customer Service **HELPLINE** at **1-800-282-2886** immediately.

### Contents

Important safeguards. . . . .	3
What comes in the carton . . . . .	4
How to assemble your vacuum cleaner. . . . .	5
How to identify parts of your vacuum cleaner . . . . .	6
How to use your vacuum cleaner . . . . .	7
How to use accessories. . . . .	8
How to clear a blockage . . . . .	9
How to clean exhaust filter . . . . .	10
How to maintain dust cup and filters . . . . .	10
How to maintain brushroll . . . . .	11
How to clean vacuum and tools. . . . .	11
The Eureka limited warranty . . . . .	12
How to order replacement parts . . . . .	13

 Follow caution information wherever you see this symbol.

# IMPORTANT SAFEGUARDS

When using an electrical appliance, basic precautions should always be followed, including the following:

## READ ALL INSTRUCTIONS BEFORE USING THIS VACUUM CLEANER

### WARNING



To reduce the risk of fire, electric shock, or injury:

- Do not use outdoors or on wet surfaces.
- **Do not leave vacuum cleaner when plugged in.** Turn off the switch and unplug the electrical cord when not in use and before servicing.
- Do not allow to be used as a toy. Close attention is necessary when used by or near children.
- Use only as described in this manual. Use only manufacturer's recommended attachments.
- Do not use with damaged cord or plug. If vacuum cleaner is not working as it should, has been dropped, damaged, left outdoors, or dropped into water, call the Eureka Customer Service **HELPLINE** at **1-800-282-2886**.
- Do not pull or carry by cord. Do not use cord as a handle. Do not close a door on cord or pull cord around sharp edges or corners. Do not run vacuum cleaner over cord. Keep cord away from heated surfaces.
- Do not use extension cords or outlets with inadequate current carrying capacity.
- Turn off all controls before unplugging.
- Do not unplug by pulling on cord. To unplug, grasp the plug, not the cord.
- Do not handle plug or vacuum cleaner with wet hands.
- Do not put any objects into openings. Do not use with any openings blocked; keep free of dust, lint, hair, and anything that may reduce airflow.
- This vacuum cleaner creates suction and contains a revolving brush roll. Keep hair, loose clothing, fingers, and all parts of body away from openings and moving parts.
- Do not place vacuum cleaner on furniture or stairs as the brush roll may cause damage. Use extra care when cleaning stairs. Place vacuum cleaner on floor with the handle in storage position while using attachments.
- Do not pick up anything that is burning or smoking, such as cigarettes, matches, or hot ashes.
- Do not use without dust cup, filter and screen in place.
- Belt pulleys can become hot during normal use. To prevent burns, avoid touching the belt pulley when servicing the drive belt.
- Do not use to pick up flammable or combustible liquids such as gasoline, or use in areas where they may be present.
- Store your vacuum cleaner indoors in a cool, dry area.
- Keep your work area well lit.
- Unplug electrical appliances before vacuuming them.
- **WARNING:** This product can expose you to chemicals including Styrene, which is known to the State of California to cause cancer, and Bisphenol-A, which is known to the State of California to cause birth defects or other reproductive harm. For more information go to [www.P65Warnings.ca.gov](http://www.P65Warnings.ca.gov).

## SAVE THESE INSTRUCTIONS

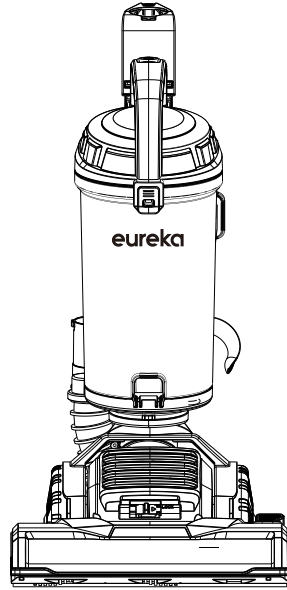
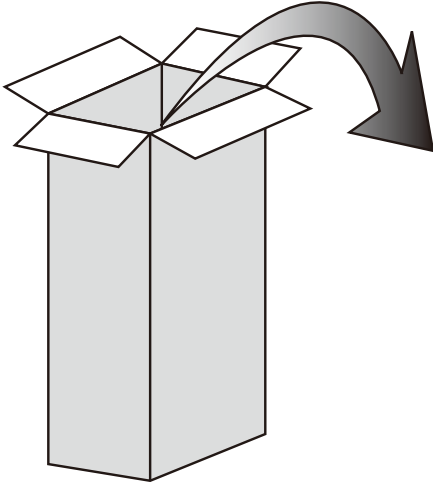
To reduce the risk of electric shock, this appliance has a polarized plug (one blade is wider than the other). This plug will fit in a polarized outlet only one way. If the plug does not fit fully into the outlet, reverse the plug. If it still does not fit, contact a qualified electrician to install the proper outlet. Do not change the plug in any way.



### Motor

**Do Not Oil** the motor or the brush roll at any time. The bearings are permanently lubricated and sealed.

# What comes in the carton



Vacuum cleaner



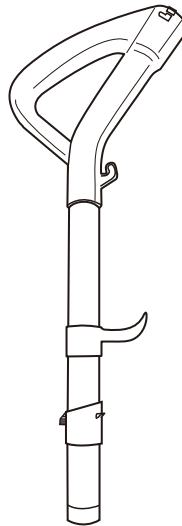
Important safeguards



Dusting brush



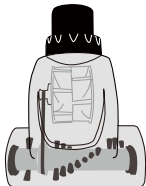
Crevice tool



Handle

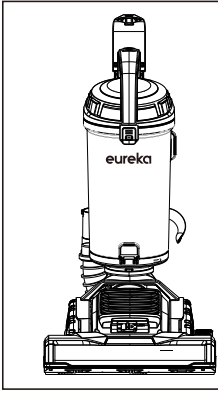


Tube

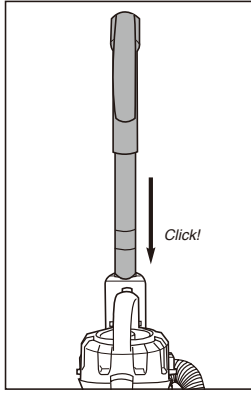


Pet tool

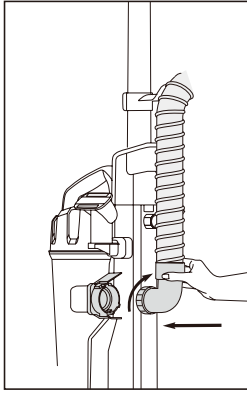
# How to assemble your vacuum cleaner



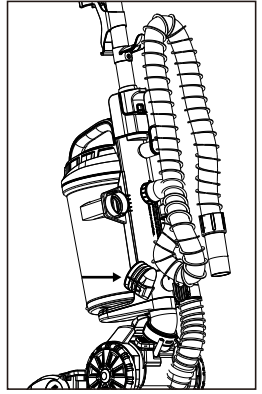
Vacuum cleaner with dust cup.



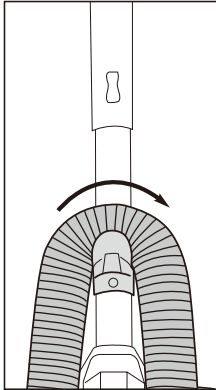
Slide handle into top of vacuum cleaner. Push down until it clicks.



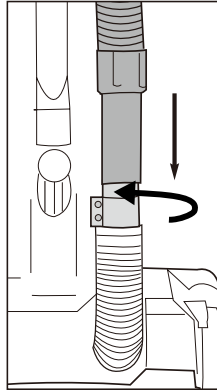
Have hose connector fix with dust cup in clockwise direction.



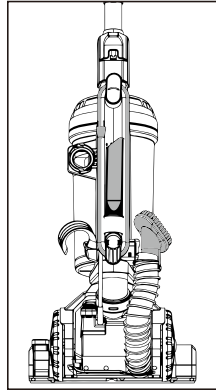
Have hose go through the lower hook



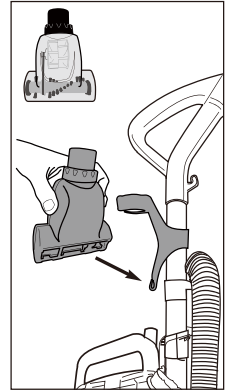
Loop hose over hose retainer.



Push loose end of hose securely into hose inlet and twist clockwise to lock.

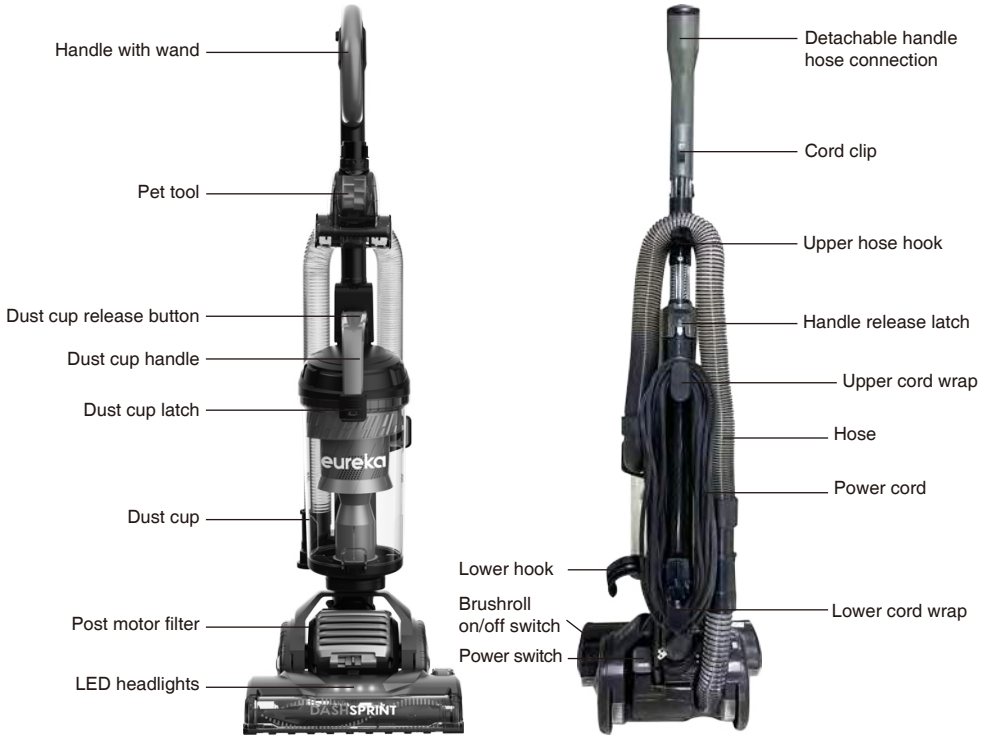


Wrap cord around upper and lower cord wraps. Store crevice tool on back and dusting brush on side of vacuum cleaner.

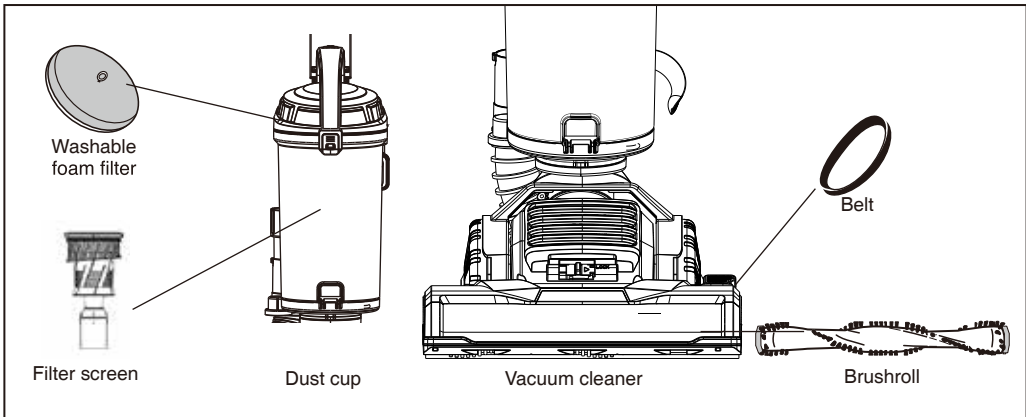


Store turbo brush on front of handle. Align brush opening with slot and push to snap tool into clip.

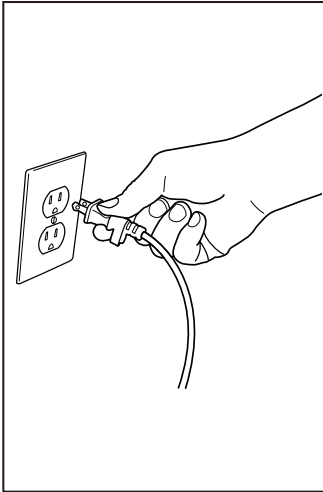
# How to identify parts of your vacuum cleaner



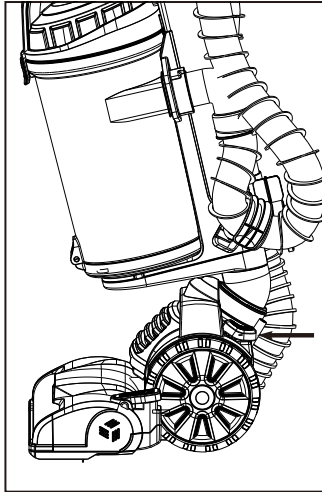
For filter maintenance instructions, see page 9



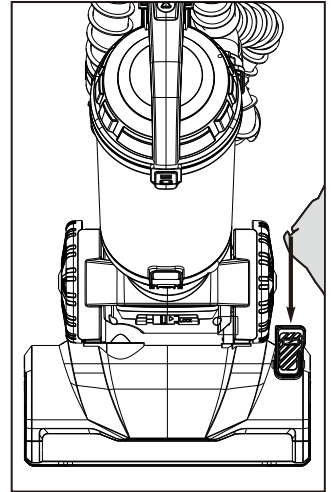
# How to use your vacuum cleaner



Plug power cord into outlet.

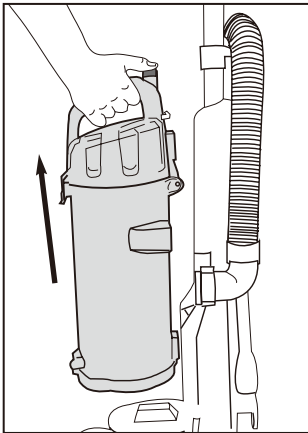


Step on power switch to turn vacuum cleaner on. Step on again to turn off.

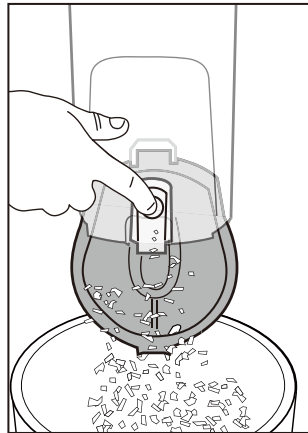


Step on brushroll control to turn brushroll on (ideal for carpet). Step on again to turn off (ideal for hard floors).

## Empty dust cup after every use



Press release button and lift off dust cup.



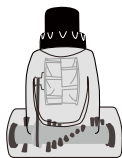
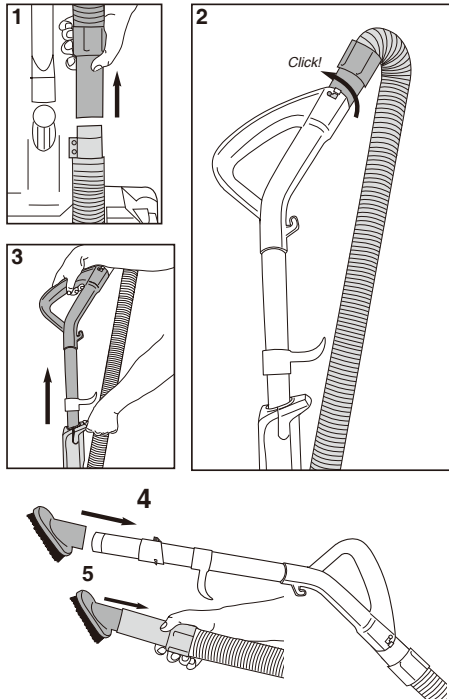
To empty debris, press lever to release bottom lid.

# How to use accessories

## ⚠ CAUTION

When using tools, always place handle in upright position. Make sure vacuum cleaner is turned off while attaching tools.

- Place vacuum in upright position.
- Pull up on hose connection to release hose end from hose inlet (Fig. 1).
- Push end of hose into top of handle and twist clockwise until it clicks (Fig. 2).
- Press handle release latch and pull out handle with wand (Fig. 3).
- To attach accessories, push desired tool onto end of wand (Fig. 4).
- To use accessories without handle and wand, push desired tool directly onto end of hose (Fig. 5).
- When finished using accessories, twist hose counterclockwise and pull off handle. Slide handle into top of vacuum cleaner and push down until it clicks. Push loose end of hose securely onto hose inlet. Store tools on vacuum cleaner back. (See page 5.)



### Pet tool

Use to remove pet hair from stairs, carpet and upholstery



### Crevice tool

Use for baseboard edges, corners, detailing chairs, sofas, dryer vents and tight spaces.

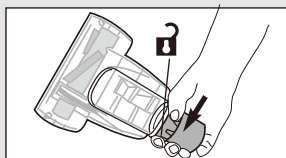


### Dusting brush

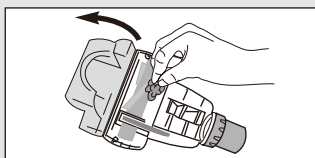
Use for furniture, drapes, blinds, drawers and vents.

⚠ **CAUTION:** Make sure vacuum cleaner is turned off while attaching turbo brush.

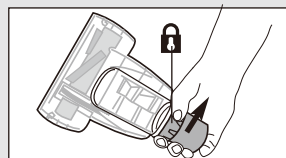
## How to maintain pet turbo brush



Grasp collar and twist counterclockwise to unlock cover. Lift cover up.



With cover open, use fingers or small brush to clear accumulated hair and debris from turbo blades.



Close cover and twist collar clockwise to lock.



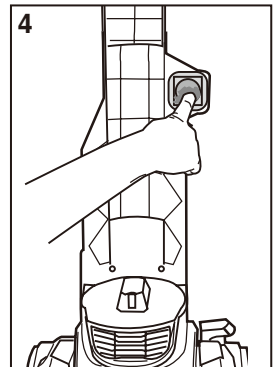
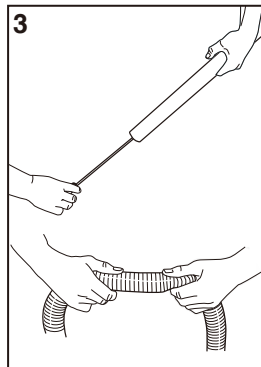
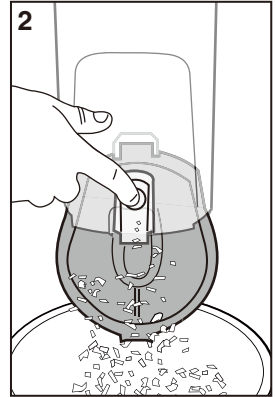
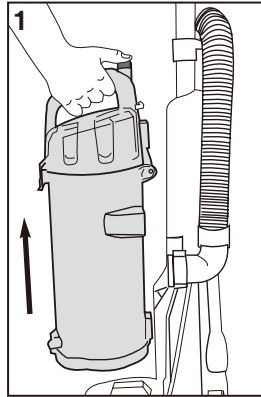
# How to clear a blockage

## ⚠ CAUTION

Make sure vacuum is turned off and power cord is unplugged.

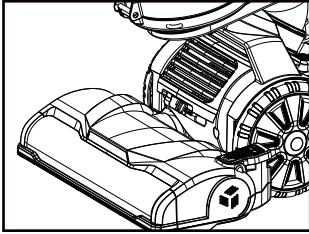
If vacuum is not cleaning floors, or if no suction at end of hose, check to be sure air path is not blocked.

- Press release button and lift off dust cup (Fig. 1).
- Empty debris. Hold over wastebasket and press lever to release bottom lid (Fig. 2).
- Check filter and filter screen. Remove any debris and shake off dust.
- Loosen end of hose.
- Use a rod or similar blunt implement to clear a blockage in wand or hose. Flex hose to loosen debris (Fig. 3). Use caution if there is any risk that glass or nails could have become imbedded in hose.
- Use finger to check for debris in air path (Fig. 4).
- Reinstall filter and filter screen inside dust cup and position dust cup onto vacuum cleaner.

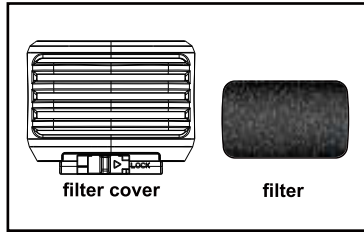


**⚠ Warning:** Never operate vacuum cleaner without foam filter, filter screen and dust cup in proper position.

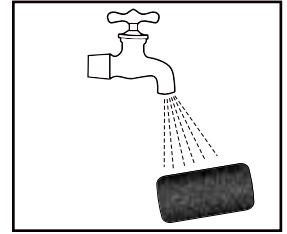
# How to clean exhaust filter



Locate and unlock filter cover as shown.  
Push left to un-lock, right to lock.



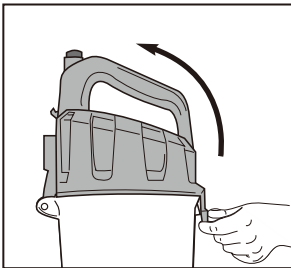
Remove filter cover with filter.  
Wipe with cloth over garbage bin, removing dirt and debris.



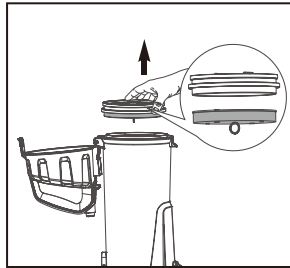
Wash with water every 3 months, allow at least 24 hours to dry and make sure it is dry thoroughly before re-using.

# How to maintain dust cup and filters

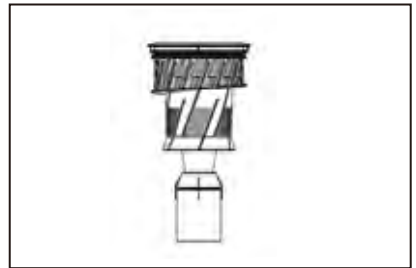
## Washable dust cup filters – Clean monthly



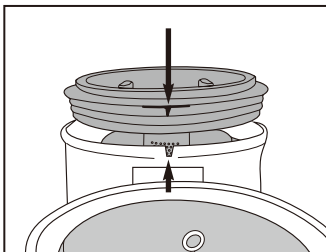
Pull dust cup latch to lift up dust cup lid.



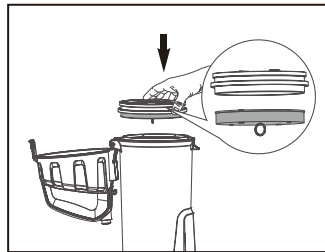
Lift out foam filter and shake off dust. Rinse foam filter and dry **THOROUGHLY**.



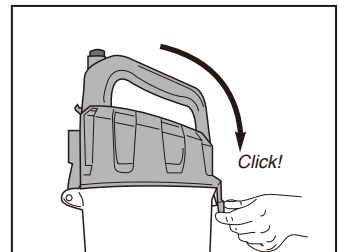
Grip tabs and lift out. Shake off dust. Rinse dust cup. Dry all **THOROUGHLY**.



Align tab on filter screen with slot on back of dust cup and drop into position.



Reinstall foam filter.



Close cover until it clicks.



**Warning:** Never operate vacuum cleaner without foam filter, filter screen and dust cup in proper position.

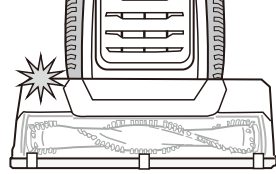
# How to maintain brushroll

To avoid unnecessary service calls, periodically check brushroll for debris.

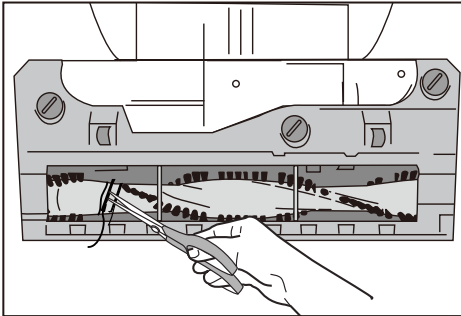
## CAUTION

Make sure vacuum cleaner is turned off and power cord is unplugged.

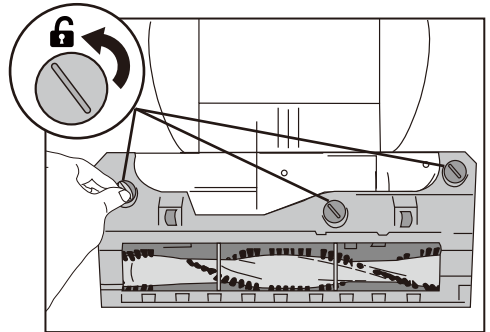
**Warning:** Do not attempt to remove belt. Call the Eureka Customer Service HELPLINE at 1-800-282-2886.



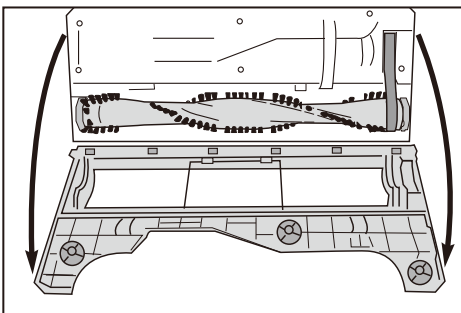
If brushroll light turns red, this indicates the brushroll is clogged and cannot spin. Brushroll will automatically shut off. Turn vacuum off and unplug before attempting to remove clog.



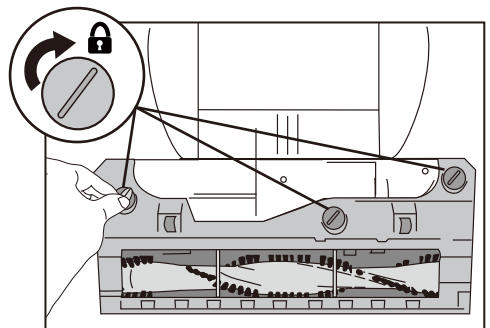
Step on floor nozzle to lower handle. Turn vacuum face down on floor. Use scissors to clip heavy threads or strings.



If debris cannot be removed easily, remove bottom plate for greater access to brushroll. Using flat-head screwdriver or coin, turn 3 slots counterclockwise a quarter turn to 'unlock' position.



Grasp brushroll bottom plate at top and pull down to flip open.



To close bottom plate, use coin to turn slots clockwise to 'lock' position.

# The Eureka Three-year limited warranty

Midea America Corp. (“Eureka”), subject to the terms and conditions herein, warrants this vacuum cleaner to be free from defects in material and workmanship for a term of three years from the date of original purchase when used in accordance with the Eureka operating and maintenance instructions and under normal household usage. This warranty is granted only to the original purchaser and members of immediate household, and is applicable only to original purchases from Eureka authorized resellers.

## What Eureka will do:

Eureka will, at its option, repair or replace a defective vacuum or vacuum part that is covered by this warranty. Repairs may be performed using new or refurbished parts that meet or exceed Eureka specifications for new parts. If Eureka elects to replace the vacuum, the replacement may be a reconditioned unit. Depending on availability of products, Eureka reserves the right to provide you with a replacement product that is the same or similar, or substitute equivalent of the original product. As a matter of warranty policy, Eureka will not refund the consumer’s purchase price.

## This warranty does not cover:

- Normal wear and tear of the vacuum and vacuum parts that require replacement under normal use such as disposable dust bags, filters, drive belts, light bulbs, brush-roll, bristles, impellers and cleaning.
- Damages or malfunctions resulting from: improper or unreasonable use or maintenance, abuse, negligence, failure to follow instructions contained in any written materials that accompany the product, deterioration by reason of excess moisture, corrosive atmosphere, lightning, power surges, connections to improper voltage supply, unauthorized alteration, or other external causes such as extremes in temperature or humidity, modifications, scratches or discoloration, accidents, misuse, or acts of God. This warranty also does not cover damage resulting from repair or attempted repair by anyone other than Eureka or an authorized Eureka Warranty Station. This warranty is not applicable to any product that has been altered or on which the serial number has been defaced, modified or removed. Altering, erasing, or forging any proof-of-purchase documents voids any applicable product warranty.

## Obtaining warranty service:

To obtain warranty service you must contact the Eureka Service Team, toll free, at 1-800-282-2886 or email [customerserviceusa@midea.com](mailto:customerserviceusa@midea.com), to discuss the warranty claim and procedures to be followed. All warranty claims must include submission of proof-of-purchase documentation. For additional information, you may also visit [www.eureka.com](http://www.eureka.com).

## Shipping charges:

You will be responsible for any initial shipping and insurance charges if the defective product(s) must be shipped for warranty service or warranty evaluation; however, Eureka or a Eureka Authorized Warranty Station will pay the return shipping charges if repairs are covered by the warranty. When returning parts for repair, you must include the model, type and serial number located on the rating plate. If any product submitted for warranty service is found to be ineligible, an estimate of repair cost will be furnished and the repair performed only if requested by the owner and upon receipt of payment or acceptable arrangements for payment.



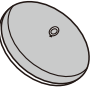




## Further limitations and exclusions:

Any warranty that may be implied in connection with your purchase or use of the vacuum, including any warranty of Merchantability or any warranty of Fitness For A Particular Purpose is limited to the duration of this limited warranty. Some states do not allow limitations on how long an implied warranty lasts, so the above limitations may not apply to you.

Your relief for the breach of this warranty is limited to the relief expressly provided above. In no event shall the manufacturer be liable for any consequential or incidental damages you may incur in connection with your purchase or use of the vacuum. Some states do not allow the exclusion or limitation of incidental or consequential damages, so the above limitation or exclusion may not apply to you.

This warranty gives you specific legal rights. You may also have other rights, which may vary by state.

**Midea America Corp.**  
**5 Sylvan Way Parsippany, NJ**  
**07054**

Image	Part name	Part # (Fits models)
	Dusting brush tool	E0101 (all)
	Crevice tool	E0102 (all)
	Washable foam filter	E0202 (all)
	Brushroll	E1001
	Hose	E1002
	Belt	S3040
	Pet tool	E1003

**Free 3 months extension of the  
 original limited warranty period!**  
 Just text proof of purchase to  
**1-844-224-1614**

\* The extension is for the three months immediately following the completion of the product's original warranty period.





# Owner's Guide

Do not return to the store, call  
Eureka Customer Service  
HELPLINE 1-800-282-2886

[www.eureka.com](http://www.eureka.com)



Eureka stands by  
our Clean Promise seal.  
Learn more at  
[www.eureka.com/cleanpromise](http://www.eureka.com/cleanpromise)



© 2018 Midea America Corp. Printed in China 02155180\_WMT\_rev5

# eureka